

Update #3

HITS FROG takes a Field Trip!

What have I been doing?

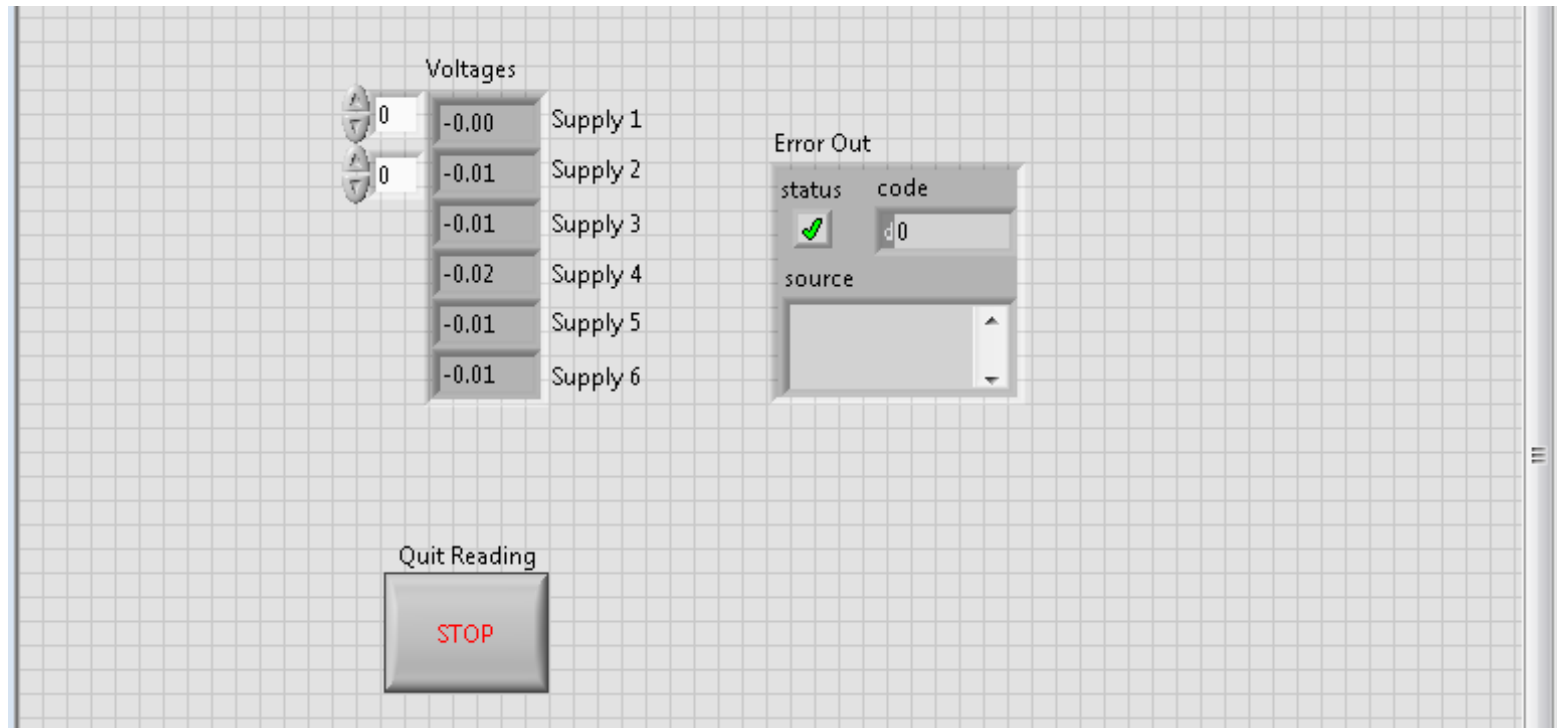
- * Reading about Ultrafast Optics
 - * Trebino slides – Nonlinear Optics
- * NI USB DAQ in LabView – Digitize the HITS Lab
- * Synchronization of FROG using PULSAR
- * Comparing traces from HITS FROG and PULSAR FROG
- * HITS Clean-Up!

DAQ

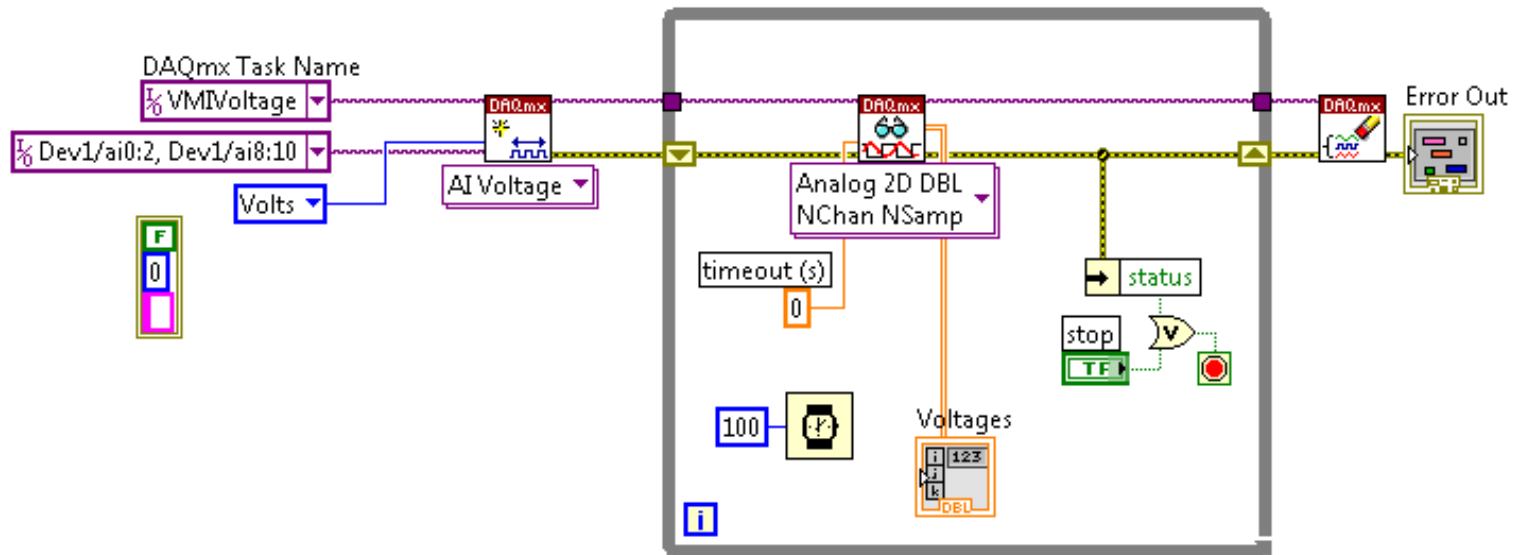


- * Six Programs
- * Lots of LabView
- * Testing Batteries
- * Between Computers
- * Bad Soldering
- * Mess of wires

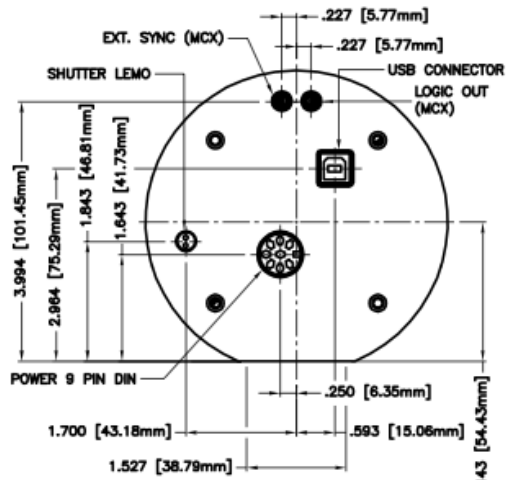
Front Panel



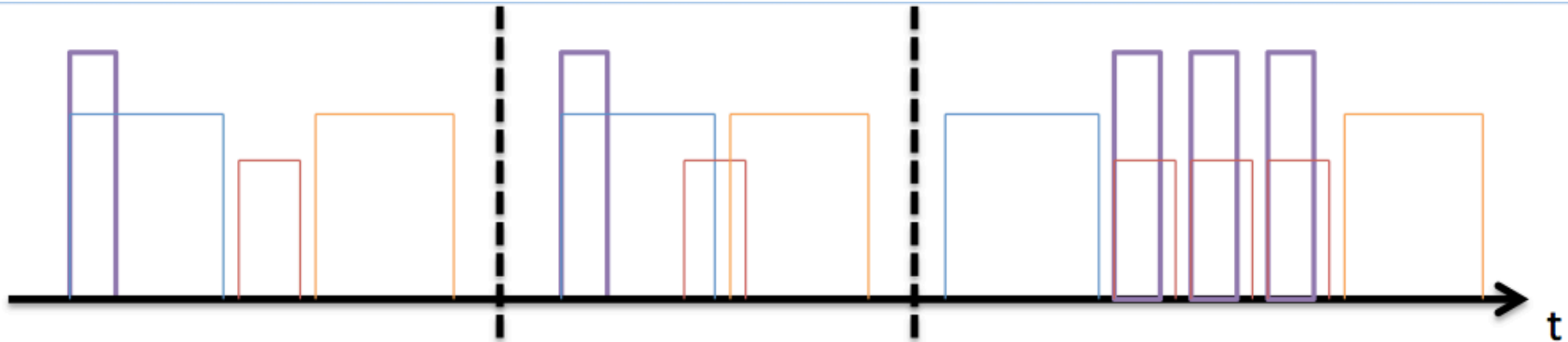
Block Panel



Synchronization by Trigger



- * MCX to BNC Adapter Arrived
- * Trigger worked
- * Pulse Generator/Delay
- * Oscilloscope
- * Changing up the FROG program



What's Next?

- * Calibrating Wavelength with Pixel Number
 - * Laser Pointer
 - * Ocean Optics Spectrometer
- * Making sure we are at our best alignment
- * Putting more power into the Spectrometer
- * Taking more FROG traces
- * See if our traces get better with less noise