

Stability of an Acetylene Frequency Reference inside Kagome Structured Hollow-Core Photonic Crystal Fiber

Kevin Knabe¹, Jinkang Lim¹, Karl Tillman¹, Rajesh Thapa¹, François Couny², Phillip S. Light², Jeffrey W. Nicholson³, Brian R. Washburn¹, Fetah Benabid², and Kristan L. Corwin¹

¹116 Cardwell Hall, Department of Physics, Kansas State University, Manhattan, KS 66506, U.S.A

²Centre for Photonics and Photonics Materials, Dept. of Physics, University of Bath, BA2, 7AY, UK

³OFS Labs, Somerset, NJ 08873 USA

kok6785@ksu.edu, corwin@phys.ksu.edu

Abstract: A continuous-wave laser has been stabilized to an acetylene transition inside kagome photonic crystal fiber. Stability as measured with a carbon nanotube fiber laser frequency comb is better than 1×10^{-11} at 10 s.

©2009 Optical Society of America

OCIS codes: 120.3930 (Metrological instrumentation), (320.7090) Ultrafast lasers; (060.5295) Photonic crystal fibers

1. Introduction

Wavelength references in the near IR are important for the telecommunications industry, length metrology, and other applications. Acetylene wavelength references based on power build-up cavities and vapor cells have achieved accuracies of ~ 2 kHz and stabilities of $\sim 3 \times 10^{-12}$ at 1 s with sub-Doppler linewidths of ~ 1 MHz [1-3]. Hollow core optical fiber offers a robust system in which to perform nonlinear optics in gases [4]. Saturated absorption in hollow-core photonic crystal fiber (HC-PCF) offers the potential advantage of all-fiber portability; however, the smaller beam size results in larger linewidths, making the high accuracy and stability of the power build-up cavity based references difficult to achieve. In $10 \mu\text{m}$ HC-PCF, 34 MHz (15 MHz) FWHM linewidths at pump powers of 10 mW (100 μW) have been achieved [5]. Signal-to-noise ratios are high enough that stability of 10^{-11} in 1 s should be possible which is comparable with I_2 -stabilized HeNe lasers. Kagome structured HC-PCF offers large core sizes ($\sim 70 \mu\text{m}$) with moderate loss ($\sim 1\text{dB/m}$) resulting in transit time limited sub-Doppler features of ~ 10 MHz FWHM linewidths, and higher signal-to-noise ratios at 50 mW of pump power exiting the fiber. Here we demonstrate the stability of such a reference.

2. Setup for Frequency Stabilization of a cw Laser in HC-PCF

A continuous-wave (CW) fiber laser was locked to a kagome-structured HC-PCF acetylene reference using the optical and electrical set-ups shown in Figs. 1a-b [6]. A narrow linewidth CW fiber laser (Orbits Lightwave, 25 mW, 1532 nm) is split using a fiber coupler to create the pump beam (Fig. 1a). This pump light passes through an amplitude modulator (AM) driven at $f_{AM} = 900$ kHz. An erbium doped fiber amplifier (EDFA) increases the pump power which is coupled to free space, and then into a 1.4 m large-core (70 micron) kagome-structured HC-PCF so that 50 mW exits the fiber. The fiber ends reside inside vacuum chambers filled with acetylene to ~ 100 mtorr. The remaining CW light from the fiber laser becomes the probe beam and an additional beam to beat against a frequency comb to characterize stability and accuracy. The probe beam passes through an acousto-optic modulator (AOM) to shift any interference between probe and stray pump reflections to the AOM frequency. The probe next passes through an electro-optic modulator (EOM), creating sidebands spaced at $f_{FM} = 22$ MHz for FM spectroscopy [7]. The probe beam is coupled to free space and then into the kagome HC-PCF, but anti-parallel to the pump beam.

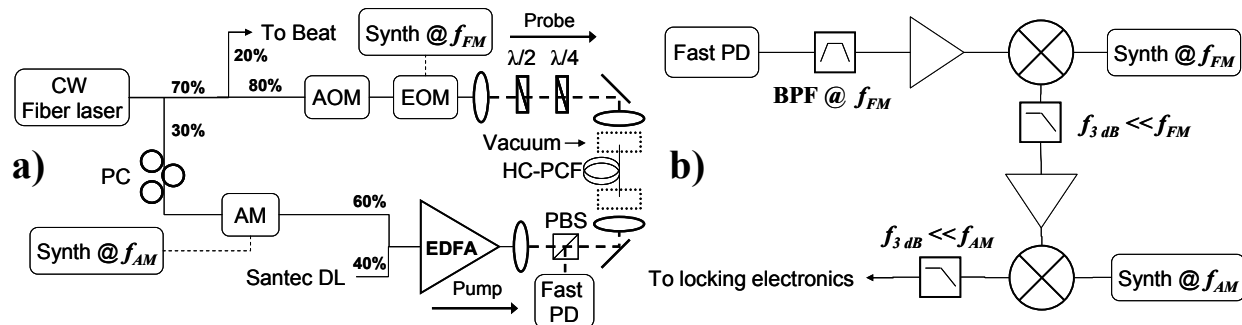


Fig. 1: a) Optical schematic for saturated absorption spectroscopy including frequency modulation of the probe and amplitude modulation of the pump. A Santec TSL-210 diode laser (DL) is tuned off-resonance and coupled into the EDFA with the modulated fiber laser so that the amplifier always sees an input ($\lambda_{\text{Santec}} = 1548$ nm). Synth: Synthesizer, DL: diode laser, and PC: polarization controller. Numbers at intersections indicate coupling percentages in fiber couplers. b) Electrical schematic used to retrieve the background-free derivative-like error signal.

Polarization optics are used to separate these two beams at the polarizing beam splitter (PBS) in the free space section of the pump beam, and the resulting probe light is then detected with a 125 MHz New Focus photodetector (PD).

Figure 1b details the electrical setup used to extract the error signal for stabilizing the CW laser to an acetylene transition. The RF signal from the PD is filtered, amplified, and then mixed with f_{FM} to extract a derivative-like signal of the sub-Doppler feature. The output of this mixer is then low-pass filtered (LPF) well below f_{FM} at 2 MHz, amplified, and mixed with f_{AM} . The subsequent 60 kHz LPF then produces the error signal used to feed back to the fiber laser shown in Fig. 2a which is on the order of 12 MHz peak-to-peak. The optimum potential relative stability of this reference was calculated to be $4 \times 10^{-12} \text{ Hz}^{-1/2}$ by comparing the off-resonant noise (9 mV) to the slope of the feature (22 MHz/V) within the 60 kHz bandwidth and assuming white noise.

3. Stability of the acetylene stabilized cw laser

A portion of the probe light is split before the AOM and EOM and used to beat with a phase-stabilized carbon nanotube fiber laser (CNFL) frequency comb [8, 9]. The resulting RF frequency was counted with a HP53131A frequency counter at either 0.1 or 1 s gate times and fractional Allan deviations were recorded. Higher averaging times were obtained by averaging this data. Previous relative stability measurements of acetylene gas cells offer nearly a factor ten improvement on our measurements of 1.5×10^{-11} in 1 s, perhaps due to the narrower sub-Doppler linewidth. Measurements of the absolute frequency [10] of this reference involve a Cr:forsterite laser comb with a tunable repetition rate and are reproducible to < 200 kHz. Some shifts due to coupling and fiber position have been observed, which may be related to the multi-mode nature of the fiber. Further investigation is ongoing to improve both stability and repeatability, and to determine the fundamental limits inside large-core kagome-structured HC-PCF.

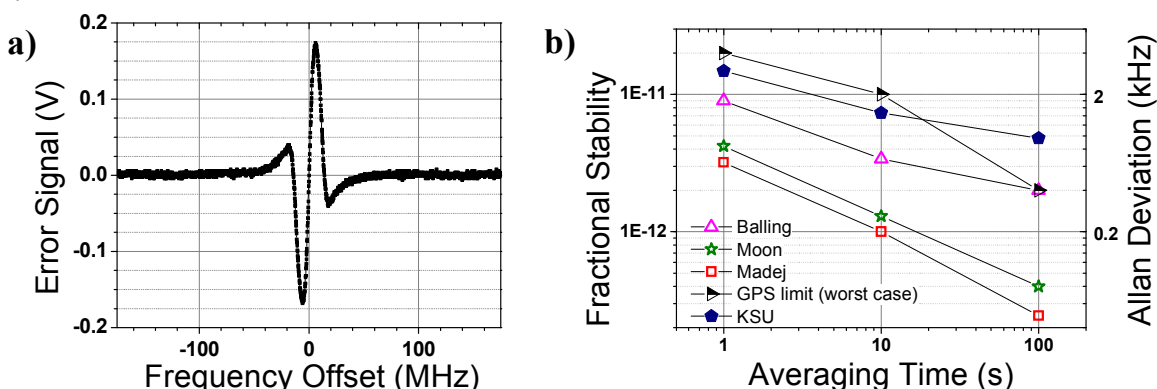


Fig. 2a) Amplitude of error signal versus frequency offset around the P(13) $\nu_1 + \nu_3$ transition in acetylene. b) Fractional stability of the beat between the kagome acetylene reference and the phase-stabilized carbon nanotube frequency comb (KSU) as compared with other optical references based on acetylene [1-3]. The CNFL comb is stabilized to a GPS-disciplined Rb clock, and is limited by it.

4. Acknowledgements

This work was supported by the AFOSR under contract No. FA9950-08-1-0020 and the NSF under Grant No. ECS-0449295.

5. References

- [1] P. Balling, M. Fischer, P. Kubina, and R. Holzwarth, "Absolute frequency measurement of wavelength standard at 1542nm: acetylene stabilized DFB laser," *Opt. Exp.* 13, 9196-9201 (2005).
- [2] A.A. Madej, J.E. Bernard, A.J. Alcock, A. Czajkowski, and S. Chepurov, "Accurate absolute frequencies of the $\nu_1 + \nu_3$ band of $^{13}\text{C}_2\text{H}_2$ determined using an infrared mode-locked Cr:YAG laser frequency comb," *J. Opt. Soc. Am. B* 23, 741-749 (2006).
- [3] H.S. Moon, W.K. Lee, and H.S. Suh, "Absolute-Frequency Measurement of an Acetylene-Stabilized Laser Locked to the P(16) Transition of $^{13}\text{C}_2\text{H}_2$ Using an Optical-Frequency Comb," in *IEEE Trans. on Infr. and Meas.* 56, 509-512 (2007).
- [4] F. Benabid, "Hollow-core photonic bandgap fibres: new light guidance for new science and technology," *Phil. Tran. R. Soc. A* 364, 3439-3462 (2006).
- [5] J.C. Petersen and J. Hald, "Frequency and Wavelength Standards Based on Gas Filled HC-PBFs," in *Proceedings of Conference on Lasers and Electro-optics (CLEO) JFA1*, (Optical Society of America, 2008).
- [6] K. Knabe, A. Jones, K. L. Corwin, F. Couny, P. S. Light, and F. Benabid, "Saturated absorption spectroscopy of C_2H_2 inside hollow, large-core kagome photonic crystal fiber," in *Proceedings of CLEO JFA5*, (Optical Society of America, 2008).
- [7] J. L. Hall, L. Hollberg, T. Baer, and H. G. Robinson, "Optical heterodyne saturation spectroscopy," *Appl. Phys. Lett.* 39, 680-682 (1981).
- [8] J. Nicholson and D. J. DiGiovanni, "High repetition frequency, low noise, fiber ring lasers modelocked with carbon nanotubes," *IEEE Photonics Tech. Lett.* 20 (2008).
- [9] Y. Wang, J. Lim, R. Amezcua-Correa, J. C. Knight, and B. R. Washburn, "Sub-33 fs Pulses from an All-Fiber Parabolic Amplifier Employing Hollow-Core Photonic Bandgap Fiber," in *Proceedings of Frontiers in Optics*, (Optical Society of America, 2008).
- [10] L.S. Ma, M. Zucco, S. Picard, L. Robertsson, and R.S. Windeler, "A New Method to Determine the Absolute Mode Number of a Mode-Locked Femtosecond-Laser Comb Used for Absolute Optical Frequency Measurements," *IEEE J. Quantum Electron.* 9, 1066-1071 (2003).